

ENGLISH
2023

ELECTRAPLAN
E-SOLAR



SOLAR MOUNTING SYSTEMS



/CONTENTS



04 INTRODUCTION

08 ENGINEERING, DEVELOPMENT

10 PRODUCTION

12 GROUND MOUNTING

22 CARPORTS

32 FLAT ROOF MOUNTING

38 REFERENCES

52 CERTIFICATES

/INTRODUCTION



ELECTRAPLAN started its operations in 1994 in the field of trade and production of electrical installation materials. Currently, the company operates in 4 locations, including 3 manufacturing facilities- in Vésztő, Nyirád and Óhíd. The headquarter is located in Érd, near Budapest.

Our main activity is metal processing, in which we use unique solutions in the production of our various products. In addition to the various pressing, welding and cutting machines, we carry out our production work with the help of our CNC laser cutting, profiling and edge bending machines.

E-SOLAR

As a steel company, our company started the development and engineering of steel solar mounting systems in 2012, and in 2014 we were among the first to start production in the Hungarian market. Since then, we have manufactured mounting systems for more than **550 MWp** of solar panels and have been involved in the construction of most of these projects.



Our products are manufactured according to DIN EN 1090 standard.



/INTRODUCTION



Headquarter in Érd



Production in Vésztő



Production in Nyírad

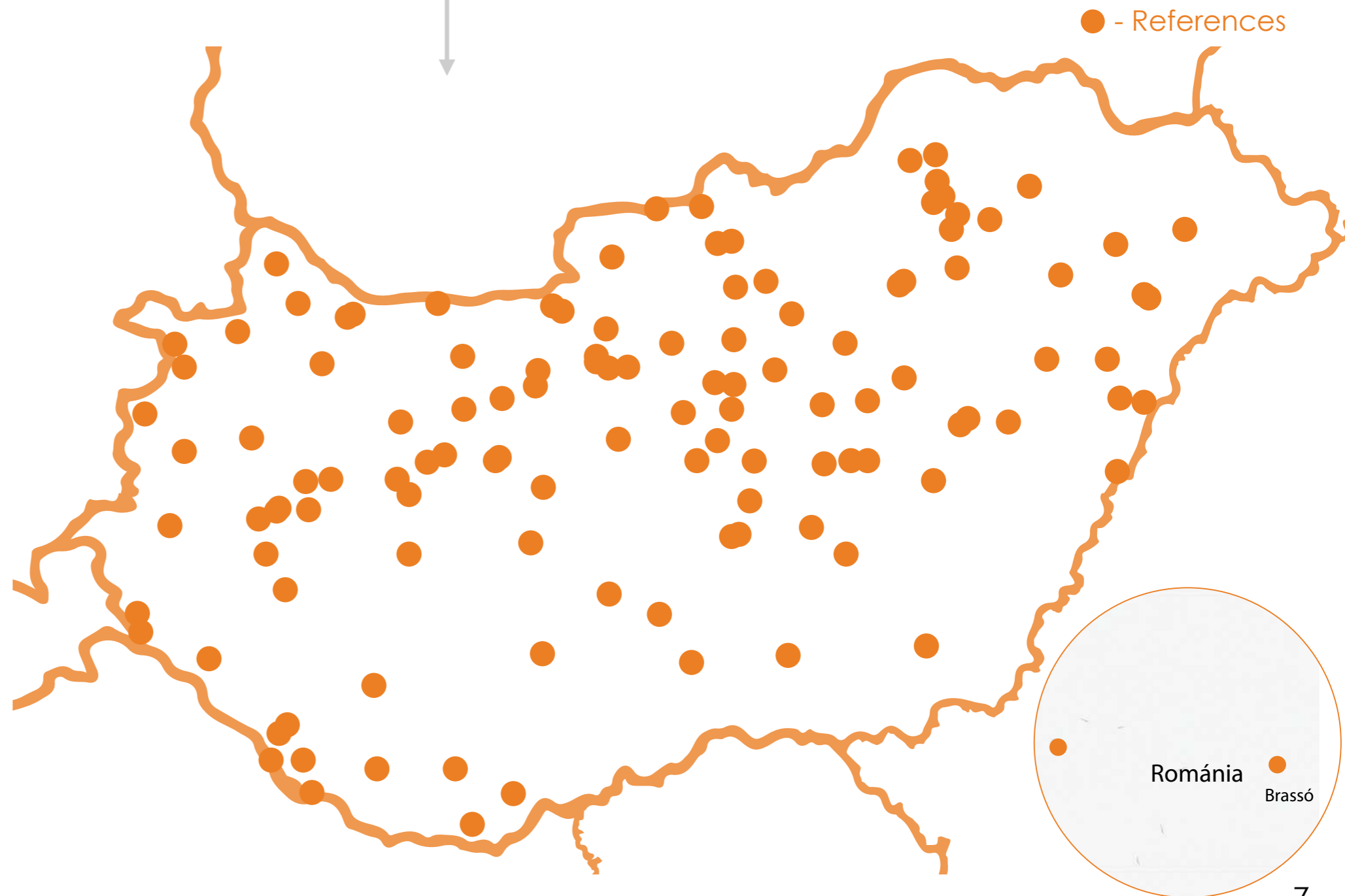


Production in Óhíd

- 1994 Foundation of the company
- 1998 Production according to ISO 9001 Quality Management System
- 2012 Start of PV-system division
- 2014 Start of PV-system production, Introduction of our self-designed PV mounting system
- 2018 Purchase of 3 new profiling machines
- 2018 Obtain CE certification
- 2020 150 MWp of solar panels installed, Development of a rotatable mounting system
- 2022 500 MWp of solar panels installed

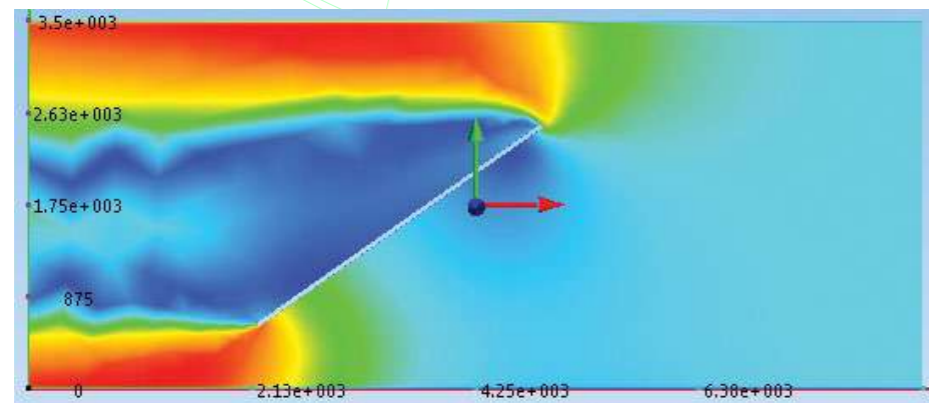
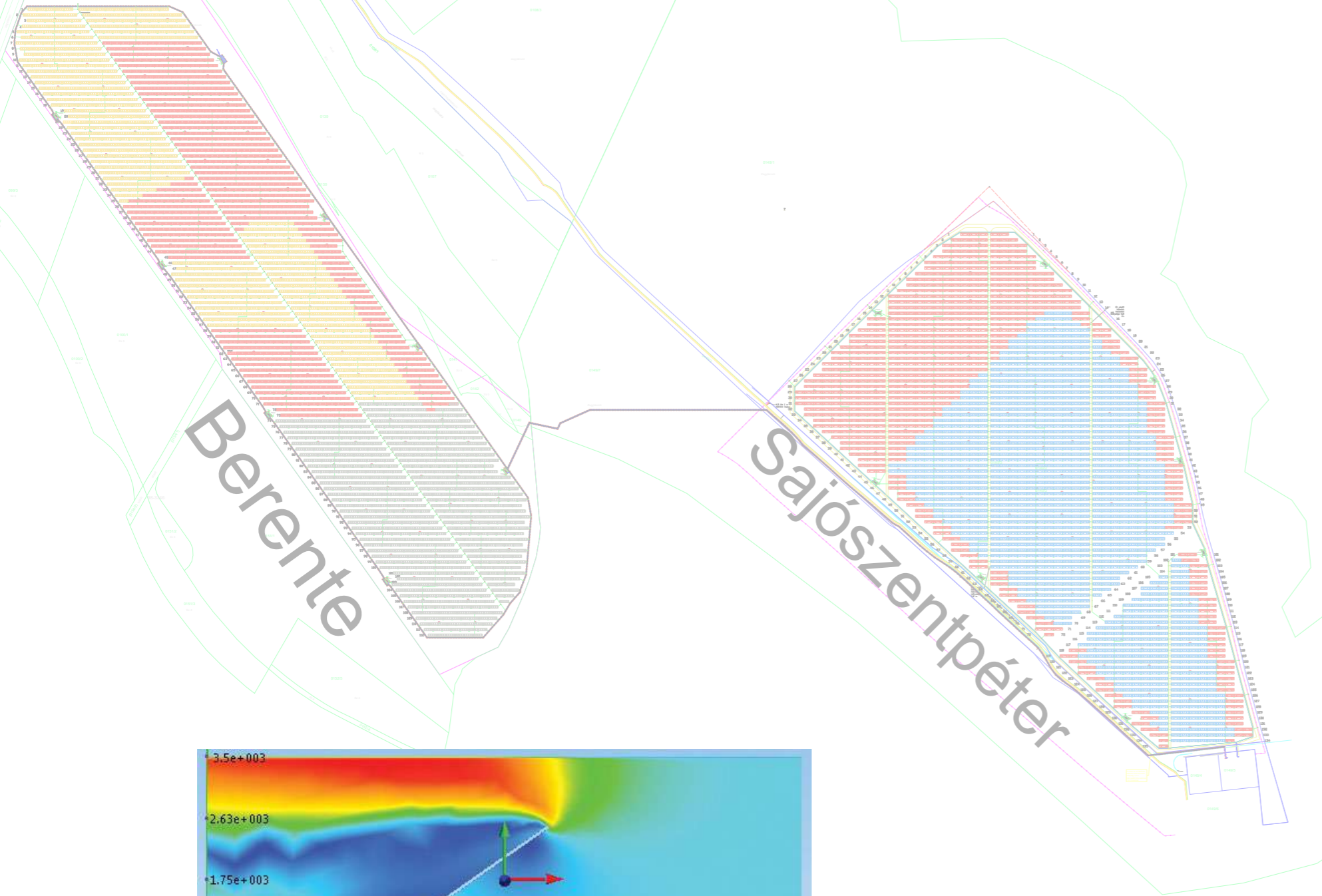
2022 in numbers:

- HUF 16 billion turnover
- 130+ employees
- 15,000+ t of steel consumption
- Over 350 MWp mounting system
- Opening of 1 new production hall in Vésztő, machinery development

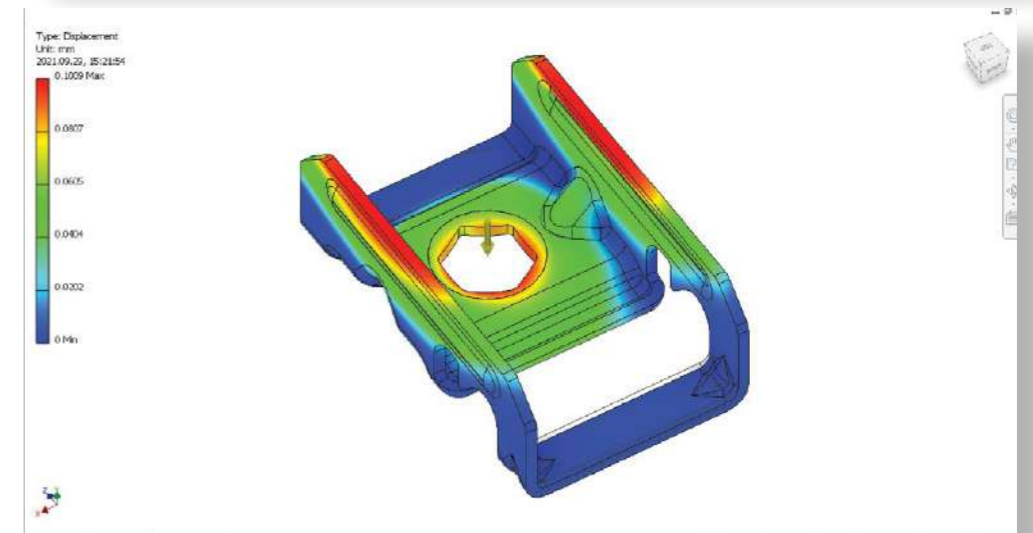
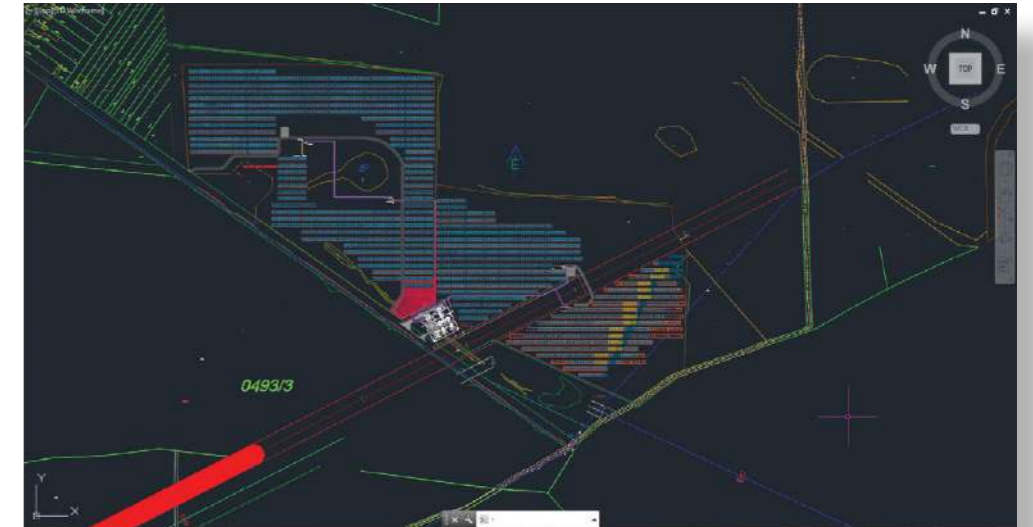


ENGINEERING, DEVELOPMENT

- Planning the mounting system with our own engineering team
 - new solutions: stability, cost-effectiveness and increase assembly speed
 - new products, e.g. single-axis rotating PV mounting system
 - EOV coordinate pile plans, layout design
 - Test piling

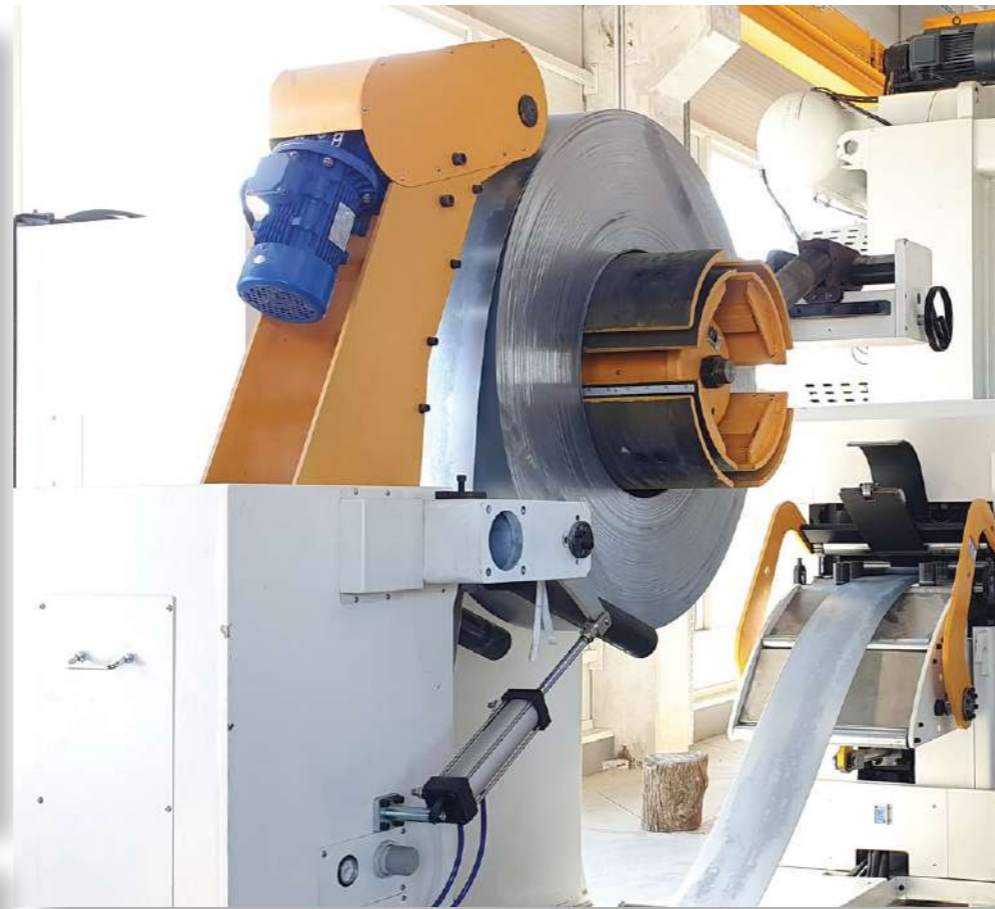


CFD wind load simulation



/PRODUCTION

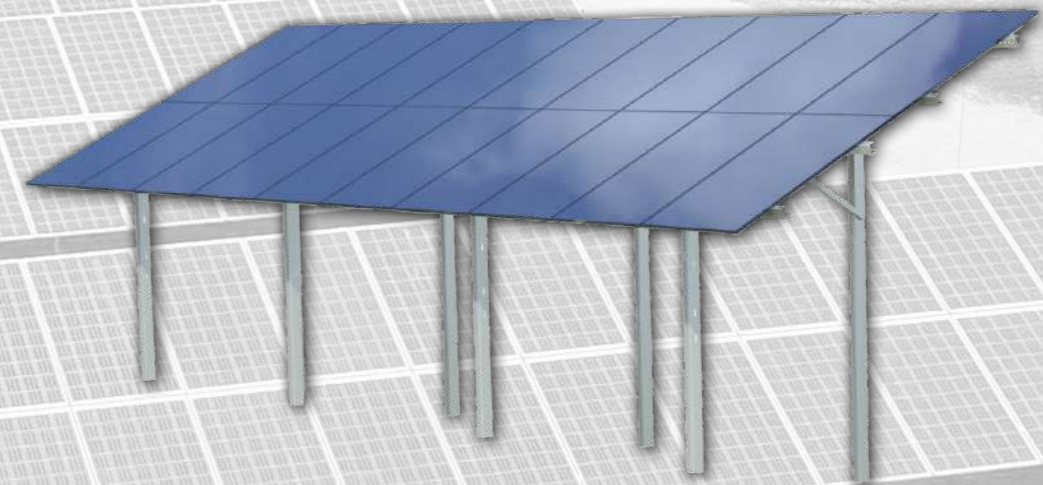
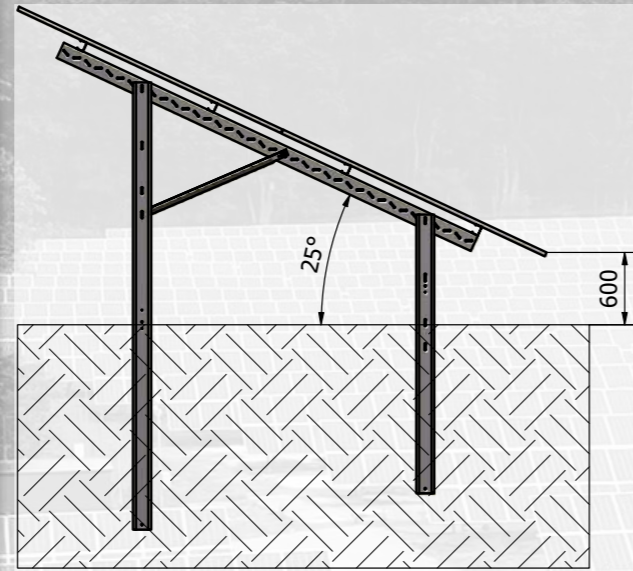
Presses / Laser cutting / Edge bending / Profiling





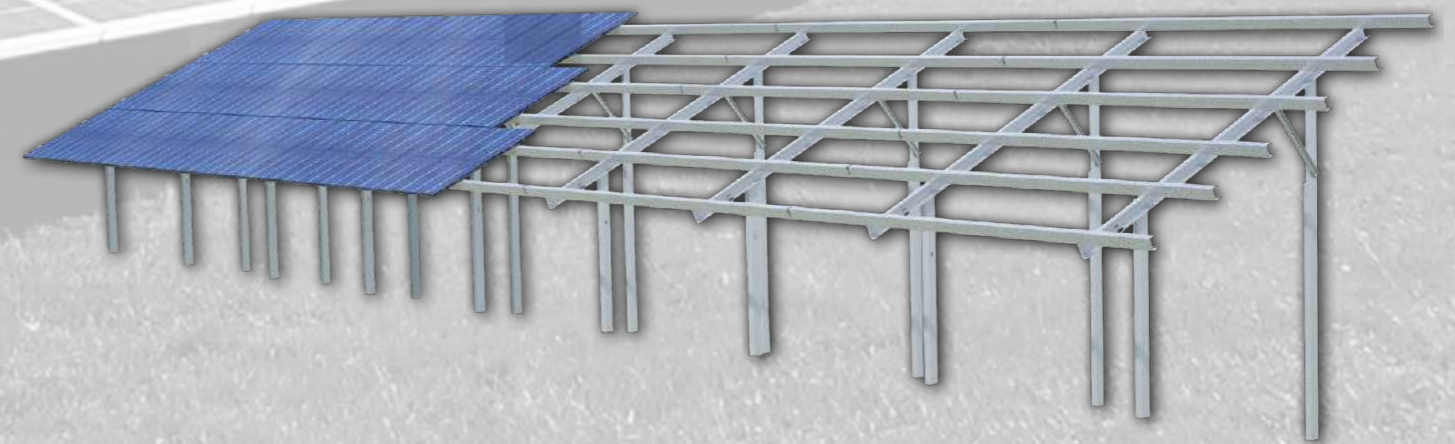
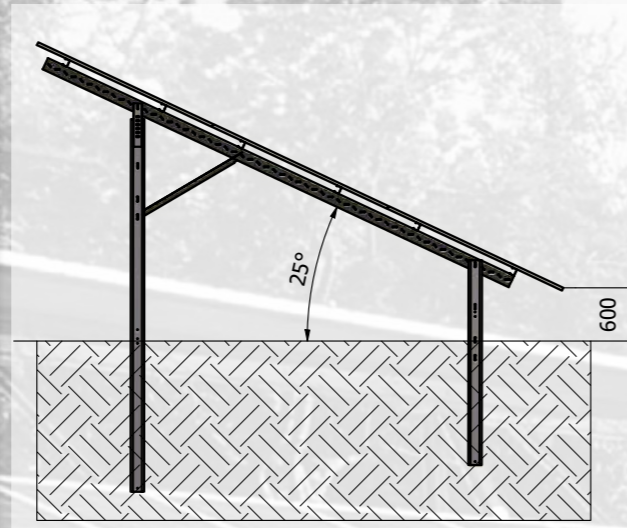
GROUND MOUNTING

- The Eco PV mounting system is recommended for larger solar power plants, from 400 kWp. Cost effective, optimized for the specific project.
- Hold 2 module rows in portrait
- Allocations are adapted to larger inverters: 2×20, 2×21, 2×22, 2×23, 2×24, additionally other layouts are available, project-specific allocations
- For 60/72 cell modules
- Manufactured with unique parameters
- Pile-mountable system
- Quick and easy installation
- Load capacity certified by static expertise
- Made in Hungary



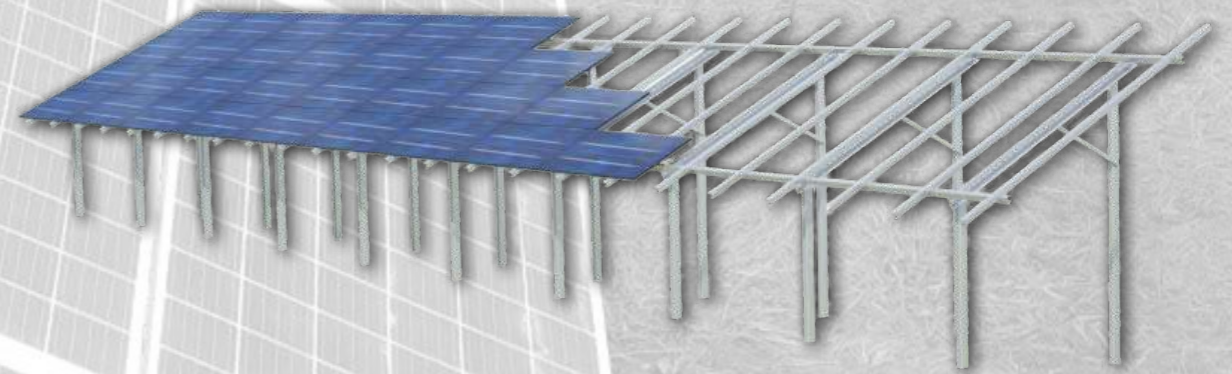
/GRANDE

- The Grande PV mounting system is recommended for larger solar power plants, from 400 kWp. Cost effective, optimized for the specific project.
- Hold 3 module rows in portrait
- Allocations are adapted to larger inverters: 3 × 22, 3 × 23, 3 × 24, additionally other layouts are available
- Also for 72 cell modules
- Manufactured with unique parameters
- Can be piled or concreted
- Quick and easy installation
- Load capacity certified by static expertise
- Made in Hungary



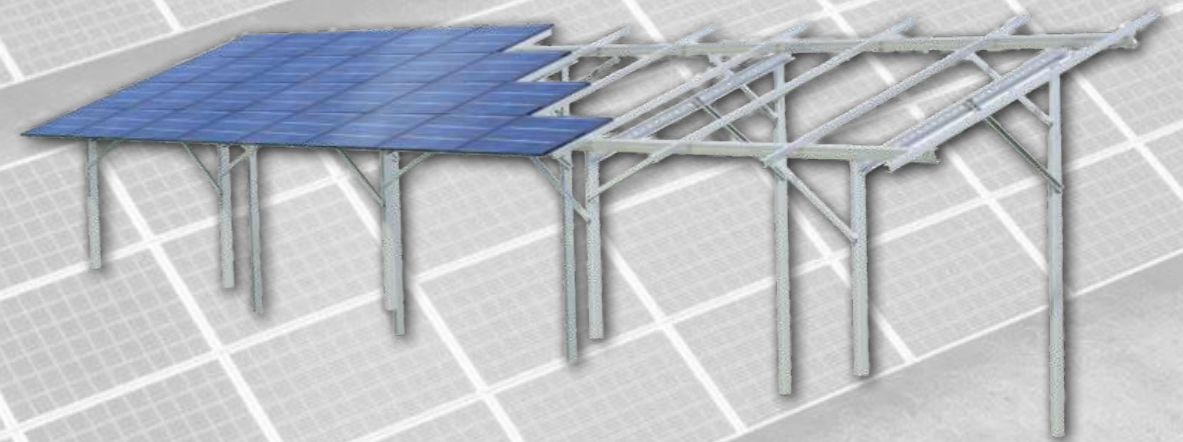
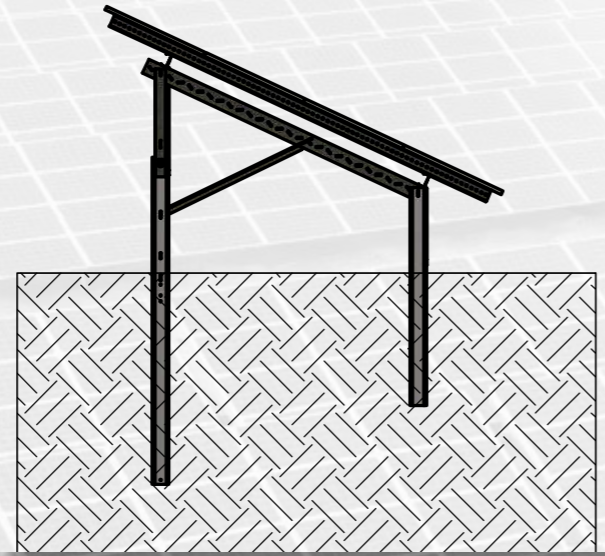
/QUATTRO

- **Cost effective construction**
Recommended for larger solar power plants, optimized for specific projects
- Hold 4 module rows in landscape
- Available from 4x4 to 4x26 layouts
- Also for 72 cell modules
- Pile-mountable system
- Quick and easy installation
- Load capacity certified by static expertise
- Made in Hungary



/TWISTER

- The "extreme strong" construction Recommended for larger solar power plants, optimized for specific projects
- Hold 4 module rows in landscape
- Available from 4x4 to 4x26 layouts
- Also for 72 cell modules
- Pile-mountable system
- Suitable for extreme locations
- Load capacity certified by static expertise
- Made in Hungary

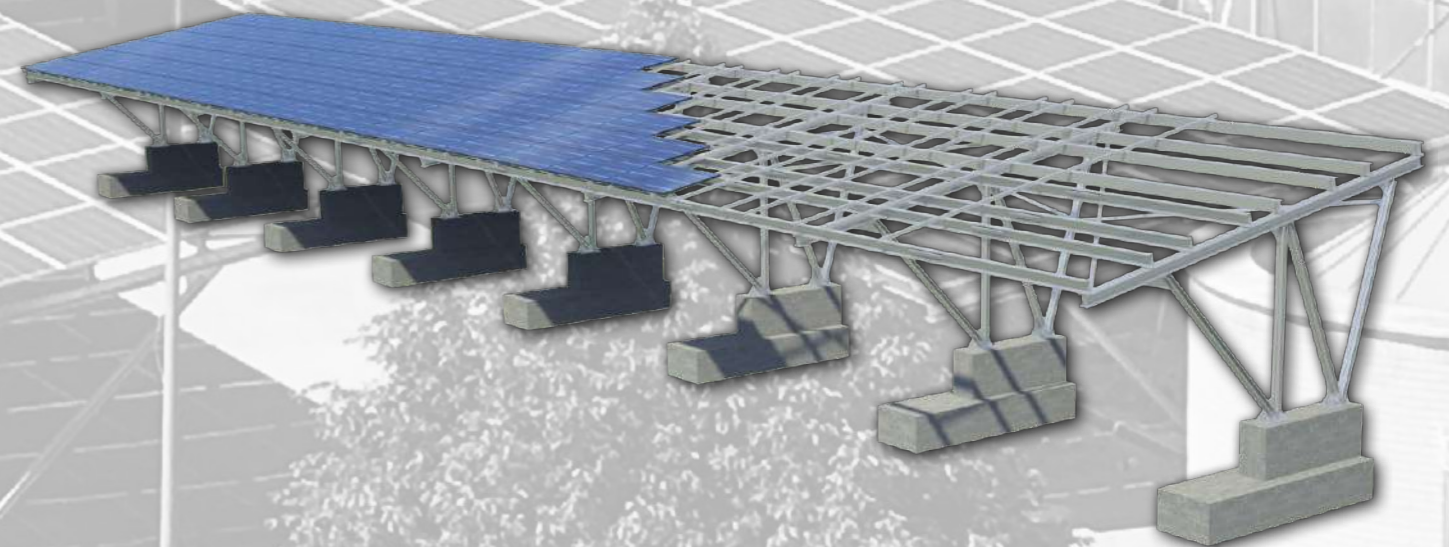
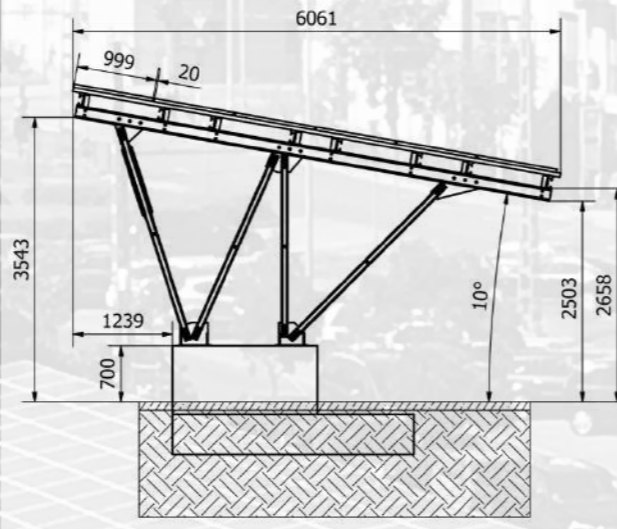




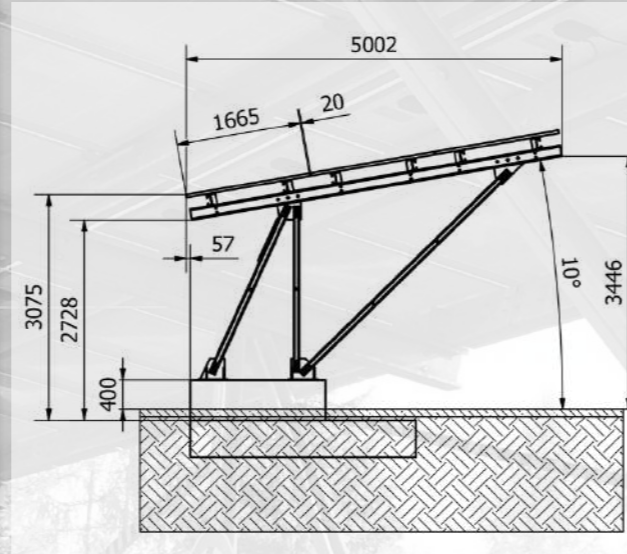
CARPORTS

/FCP

- According to customer requirements: hold 6 module rows in landscape or 3 or 4 module rows in portrait
- 2 cars can be parked between the footings, and the height of the frame allows taller vehicles to be parked underneath
- Modularly expandable
- With concreted legs
- Quick and easy installation
- Load capacity certified by static expertise
- Made in Hungary

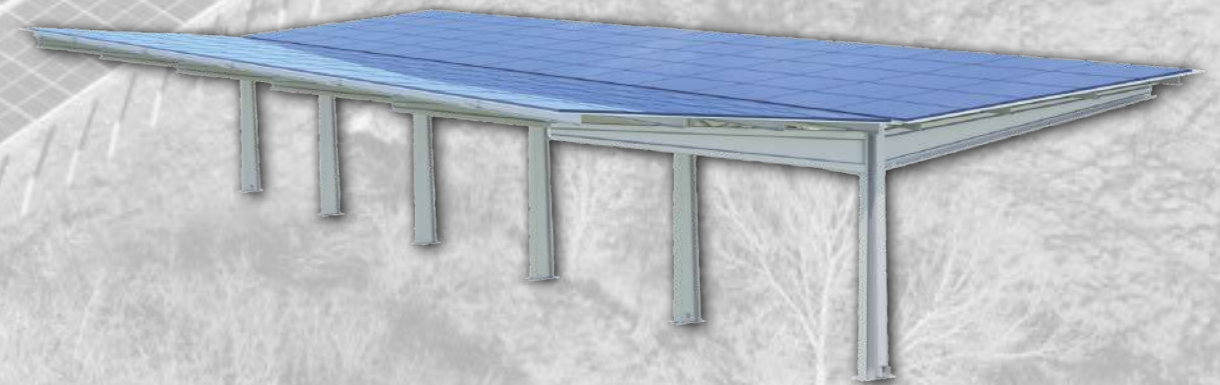
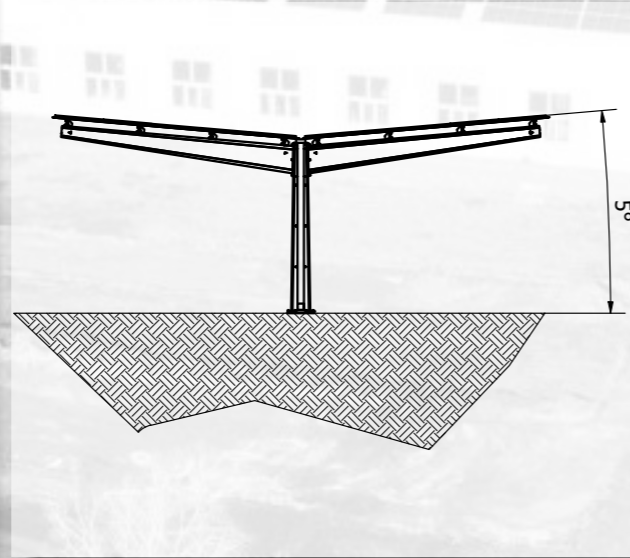


- According to customer requirements: hold 6 module rows in landscape or 3 module rows in portrait
- 2 cars can be parked between the footings, and the height of the frame allows taller vehicles to be parked underneath
- Modularly expandable
- With concreted legs
- Quick and easy installation
- Load capacity certified by static expertise
- Made in Hungary

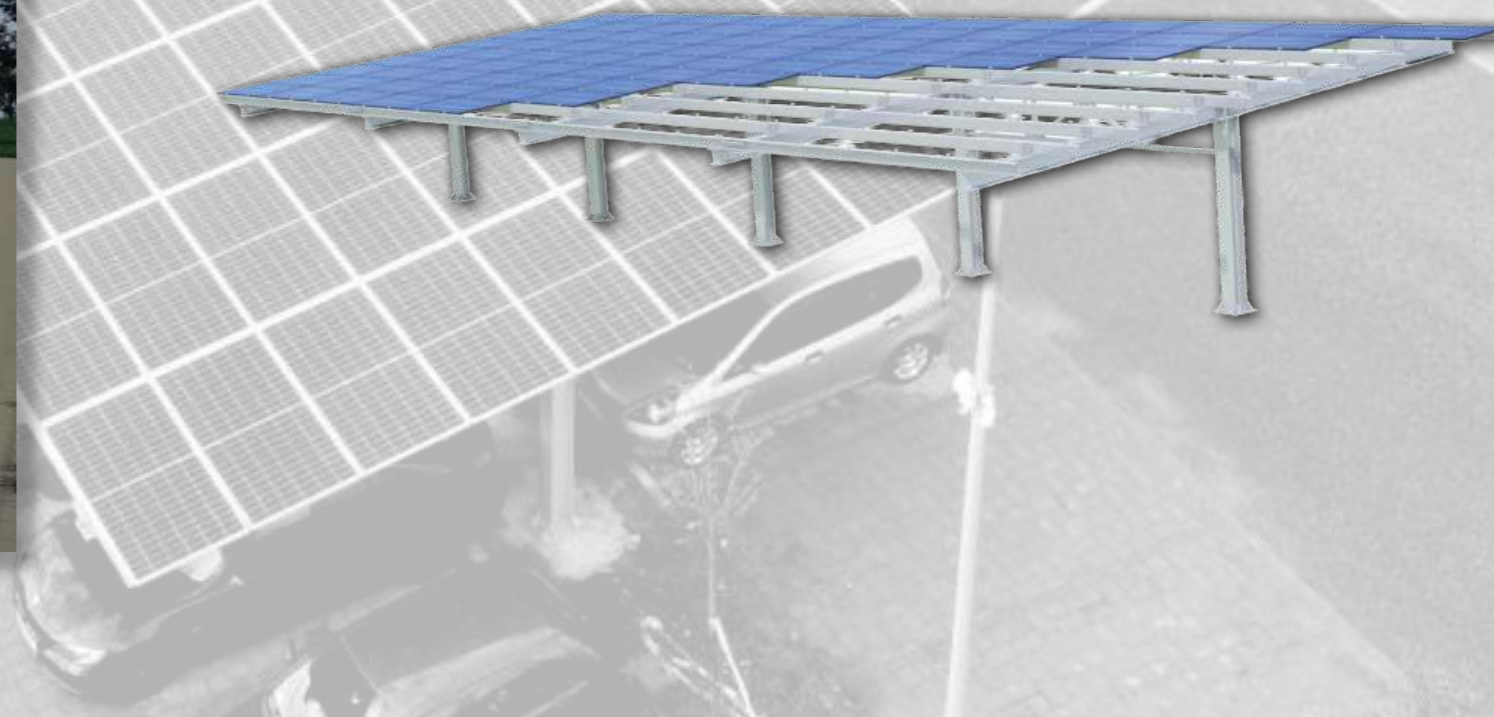
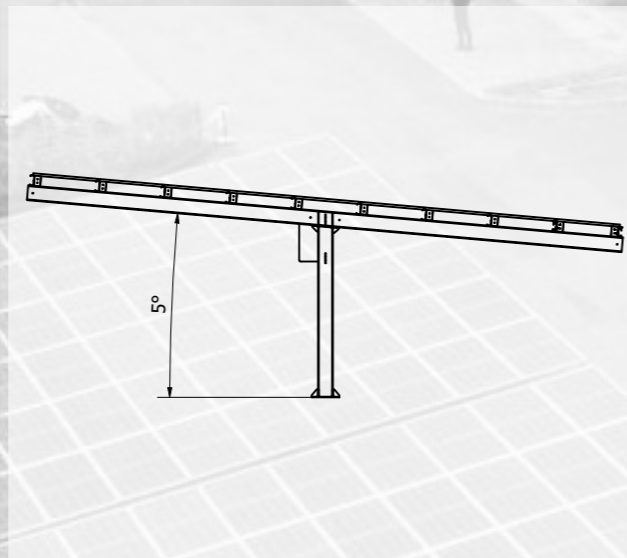


/KTACP

- East-West orientated, according to customer requirements modules can be hold in landscape or in portrait.
- It can also be ordered in a watertight version, modularly expandable
- Vehicles can be parked freely side by side thanks to the central footings.
- 5 degrees of inclination
- A welded and bolted mounting system constructed from specially bent elements.
- Quick and easy installation
- Load capacity certified by static expertise
- Made in Hungary



- South orientated, according to customer requirements modules can be hold in landscape or in portrait.
- It can also be ordered in a watertight version, modularly expandable
- Vehicles can be parked freely side by side thanks to the central footings.
- 5 degrees of inclination
- Made of heavy-duty pre-manufactured steel beams welded and bolted mounting system.
- Quick and easy installation
- Load capacity certified by static expertise
- Made in Hungary

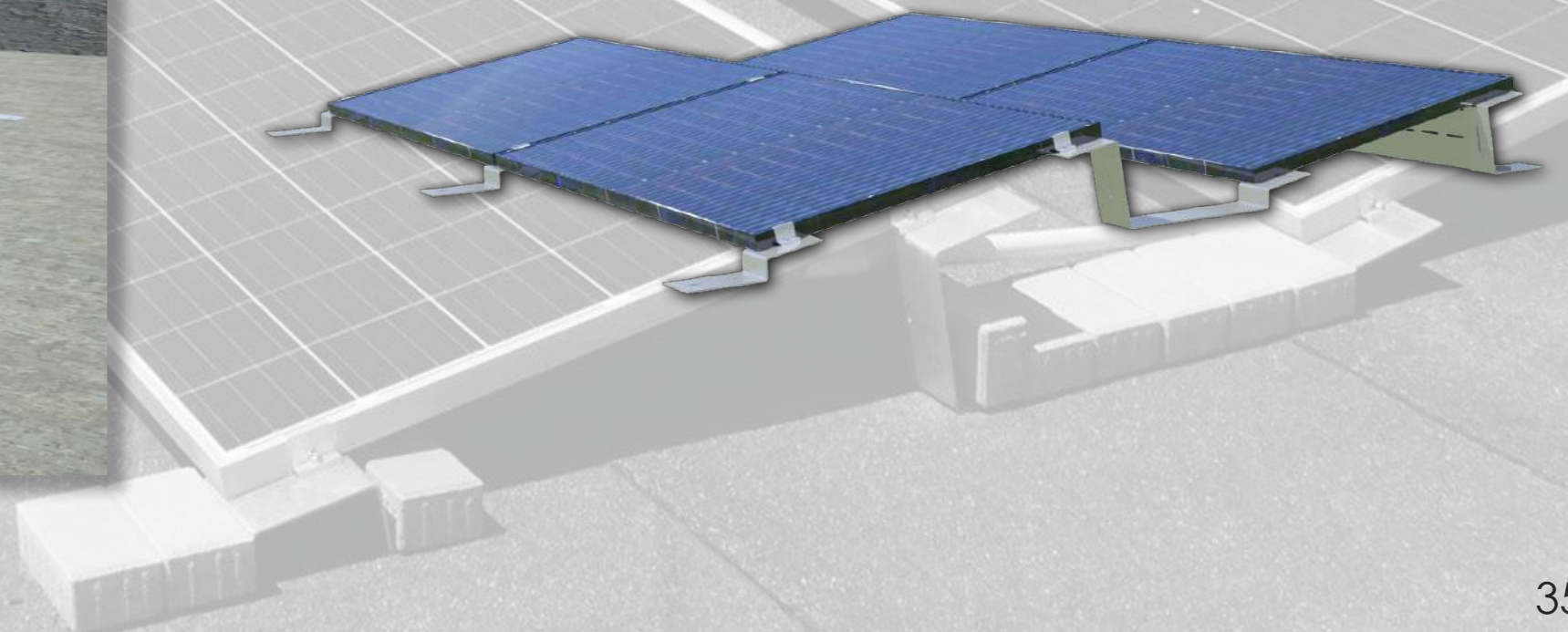
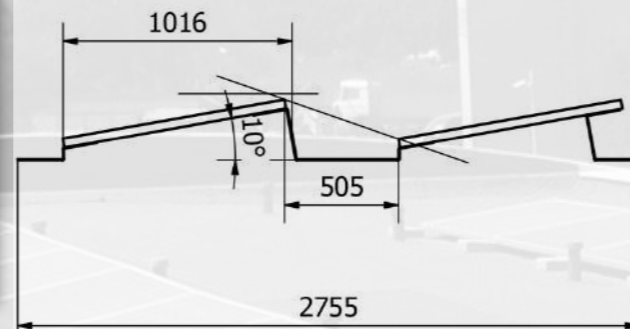




FLAT ROOF **MOUNTING**

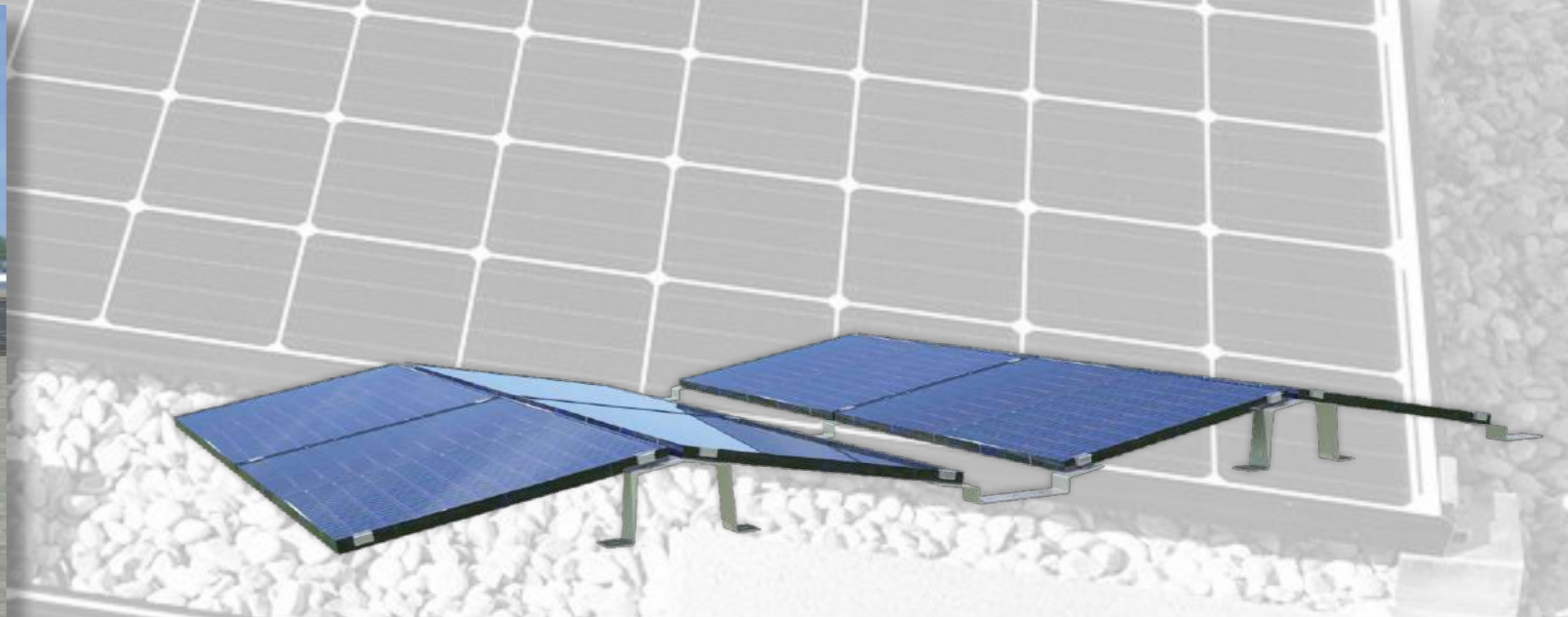
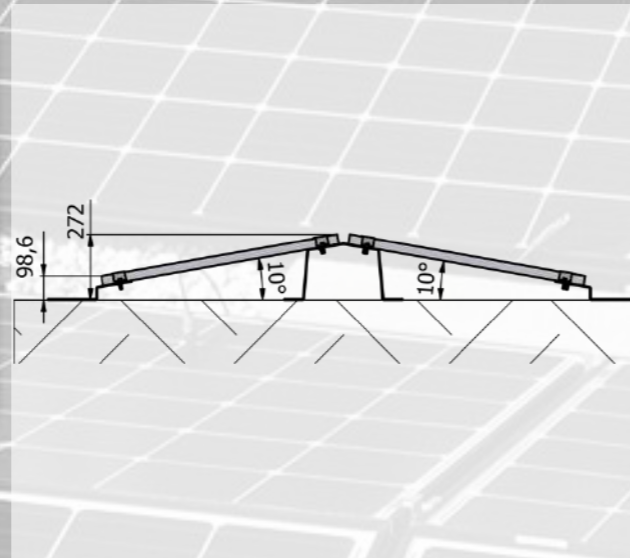
/EASYFLAT-D

- Easyflat-D is a south orientated, flat roof mounting system made from hot-dip galvanized steel. Thanks to the 10° inclination angle and the connection of the mounting systems, its weighting is minimal. It is recommended for larger roofs where there is a lot of free space.



/EASYFLAT-K-NY

- Easyflat-K-NY is an east-west orientated flat roof mounting system made from hot-dip galvanized steel. With this orientation, significant space savings can be achieved. Thanks to the 10° inclination angle and the connection of the mounting systems, its weighting is minimal.





REFERENCES



Mezőcsát - 120 MWp



Sümeg-Csabrendek - 28 MWp



Túrkeve - 54 MWp



Barcs - 16 MWp



Berente/Sajószentpéter - 40 MWp



Jászberény - 10 MWp



Boldog - 7.5 MWp



Romania, Szászsebes - 4.6 MWp



Balatonberény - 6.9 MWp



Bicske - 4 MWp



Monor - 4.8 MWp



Várpalota - 3.5 MWp



Törökszentmiklós - 2.5 MWp



Szajol - 1.5 MWp



Tápióbicske - 2 MWp



Tápiószecső - 1.1 MWp



Jászberény - 1,8 MWp



Cegléd - 1 MWp



Kétújfalu (2 * 500) - 1 MWp



Szentkirályszabadja - 1 MWp



Nyírad (Own power plant) - 1 MWp



Tiszasüly - 1 MWp



Szabadegyháza - 1 MWp



Szil - 594 kWp



Egyházasharaszti (2x) - 560 kWp



Budapest, Uzsoki street - 424 kWp



Óhid (Own power plant) - 500 kWp



Budapest, Aquaworld - 400 kWp



Vésztő (Own power plant) - 500 kWp



Poroszló - 400 kWp

/MECHANICAL INSTALLATION

Our company has a professional team and equipment with which we can execute large scale projects.

Types of work:

- General construction
- Setting GPS coordinates
- Piling
- On-site logistics
- Installation of mounting systems
- Installation of solar panels
- Electrical installation up to and including transformer installation



Romania, Sepsiszentgyörgy (2*100) - 200 kWp



Zirc - 130 kWp



Dunakeszi Police Headquarters - 51.87 kWp



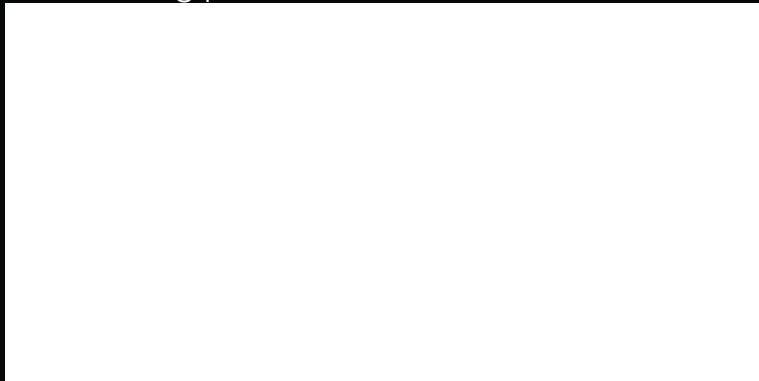


We are committed to excellence,
punctuality and professional
delivery

E-SOLAR

www.et-solar.hu

Your trading partner:



Electraplan-Termelő Kft.

2030 Érd, Budafoki út 10.

Hungary

Tel .: +36 23 521 300

Fax: +36 23 390 489

info@electraplan.hu

www.et-solar.hu

www.electraplan.hu

www.shop.electraplan.hu

